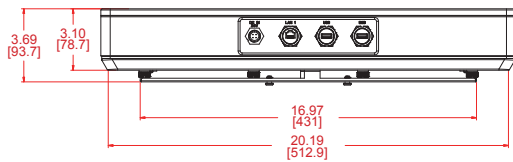
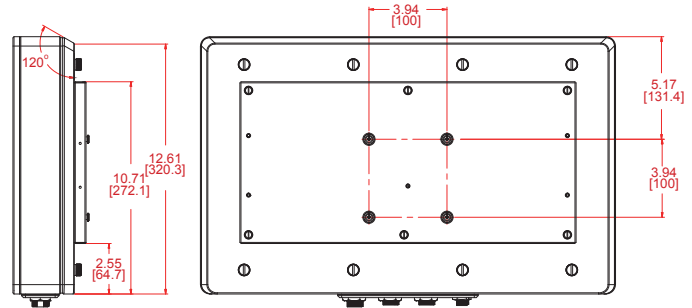
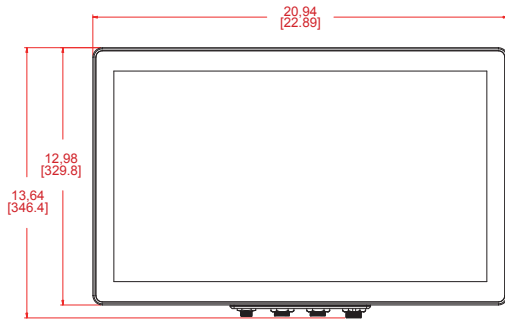
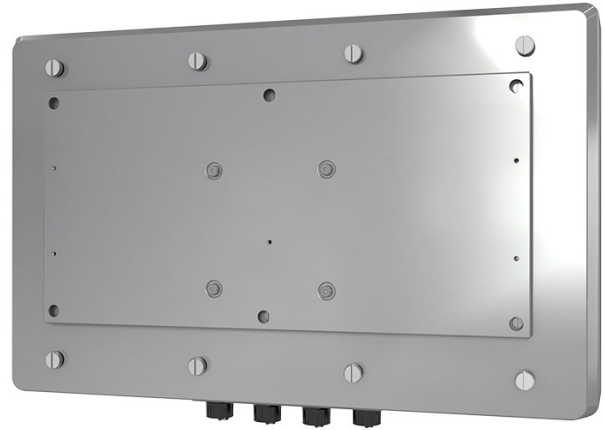


<b>Model Name</b>	<b>ARP-3821AX-E01</b>
<b>Product Specifications</b>	
Display Size	21.5 inch
Max Resolution	1920 x 1080
Backlight Lifetime	50,000 hours
<b>Visual Characteristics</b>	
Colors	16.7 millions
Aspect ratio	16:9
Viewing angle (V/H)	178° / 178°
Response time (Typical)	14 ms
Pixel Pitch (mm)	0.248 x 0.248
Contrast ratio	1000 : 1
Brightness	250 nits
<b>Touchscreen</b>	
Technology	Projected Capacitive
Touch Rating	50 Million Touches
Touch Rating	N/A
Touch Rating	USB
<b>System</b>	
CPU	Intel E3845 1.91GHz Quad Core ATOM CPU
Chipset	Bay Trail
Memory	Up to 8GB DDR3 SO-DIMM
Video Controller	Intel Gen7 Intel Graphics DX 11, OGL3.2
External Video Output	N/A
Storage Option	2.5" HDD, 2.5" SSD, CFast Card
Compact Flash	N/A
Keyboard / Mouse	USB
Audio	N/A
Watchdog Timer	Programmable 1 - 255 sec
Remote Boot	ThinManager Ready, PXE
Expansion Slot	N/A
<b>I/O Communication</b>	
USB Port	2 x USB 2.0
Serial Port	N/A
IEEE 1394	N/A
LAN	1 x Gigabit
Parallel	N/A
GPIO	N/A
<b>Smart Battery</b>	
External Smart Battery	N/A
<b>OS Support</b>	
OS Support	Windows 7 & up
<b>Power/Thermal Specs</b>	
Power Requirement (Max)	24VDC / 1.58A
Power Consumption (Max)	38 W
Recommended Power Supply	55 W
Heat Dissipation	130 BTU/hr
<b>Power/Thermal Specs</b>	
Mounting	Pedestal, VESA, Wall mount, Benchtop
Net Weight	27 Lbs / 12.25 Kg
Physical Dimension (WxHxD)	20.94 x 13.64 x 3.69 inch 532.0 x 346.4 x 93.7 mm
Recommended Dimension (WxHxD)	N/A
<b>Environmental</b>	
Operating Temperature	0~50°C (32~122°F)
Storage Temperature	-20~60°C (-4~140°F)
Relative Humidity	0~95%
IP/MENA Rating	Meets NEMA 4X
Certification	N/A



### Ordering Information

	ARP-3821AX-E01-007	ARP-3821AX-E01-P07
LCD Display	21.5" LCD / 1920 x 1080	21.5" LCD / 1920 x 1080
Touch Screen	Projected Capacitive	Projected Capacitive
Enclosure	Stainless Steel	Stainless Steel
CPU	E3845 ATOM CPU	E3845 ATOM CPU
Memory	4GB DDR3	4GB DDR3
Storage	N/A	N/A
Remote Boot	ThinManager Ready	PXE
Power Supply	110/220VAC Input DIN-Rail	110/220VAC Input DIN-Rail